

# Data Sheet

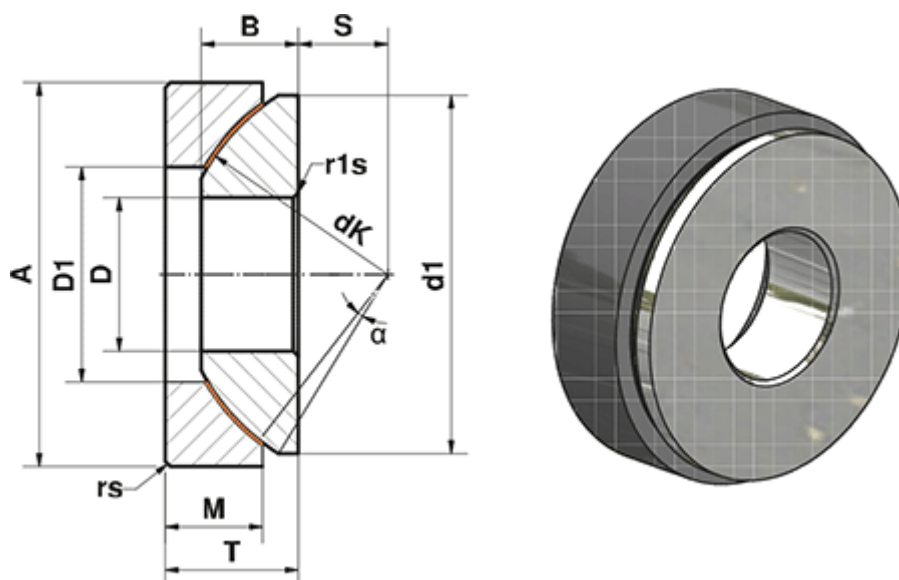


Article number: 03450035

Description: Fluro Heavy Duty Spherical Plain Bearing GE 35 AWE  
Hole  $\varnothing$ 35

Note: 35

## Measures



A	= 90	M	= 20.7
a (degrees)	= 5	rs, r1s min	= 1
B	= 22	S	= 22
D	= 35	Static load C0 (kN)	= 1340
D1	= 52.5	T	= 28
d1 min	= 84	Weight (g)	= 973
dK	= 98		
Dynamic load C (kN)	= 804		